

NUMBER 179188

3rd ANGLE PROJECTION

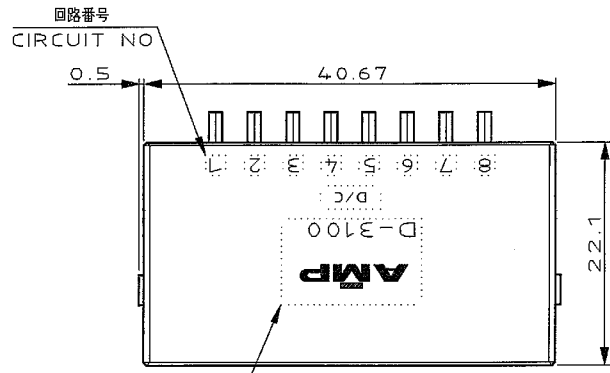
METRIC

PROJ. NO. 393-611

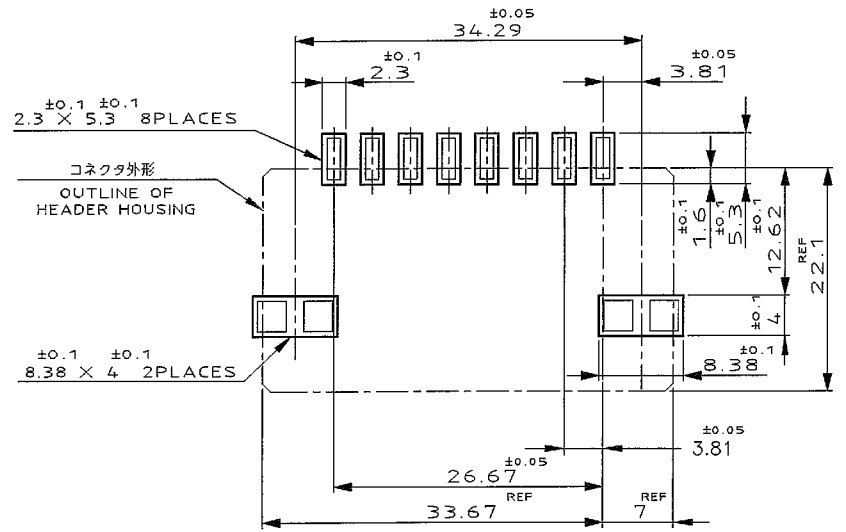
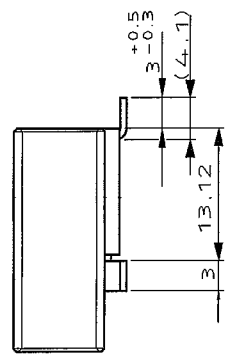
DIMENSIONS IN MILLIMETERS. DO NOT SCALE PRINT

PRINT DIST

AMP-J
REV.10/83

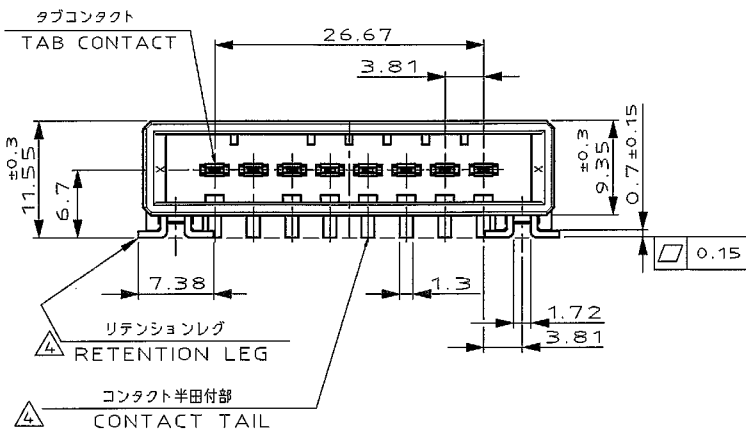


AMPマーク
シリーズマーク
SERIES MARK



推奨基板取付け寸法
(非累積公差)
(コネクタ搭載面)

RECOMMEND BOARD PATTERN
(NOT ACCUMULATE TOLERANCE)
(CONNECTOR MOUNT SIDE)



NOTES

- MATERIAL: HOUSING: GLASS FILLED THERMO PLASTIC, UL94V-0
CONTACT: COPPER ALLOY
RETENTION LEG: COPPER ALLOY
- FINISH (CONTACT AREA): 0.38 μm MIN GOLD PLATING OVER Ni PLATING
- FINISH (CONTACT AREA): 0.76 μm MIN GOLD PLATING OVER Ni PLATING
- FINISH (RETENTION LEG): TIN PLATED (SOLDER TYING) OVER NICKEL

注記

- 材料: ハウジング: ガラス入り熱可塑性樹脂, UL94V-0
コンタクト: 銅合金
リテンションレグ: 銅合金
- めっき: コンタクト接触部: ニッケル下地の上に金めっき 0.38 μm MIN
- めっき: コンタクト接触部: ニッケル下地の上に金めっき 0.76 μm MIN
- めっき: リテンションレグとコンタクト半田付部: ニッケル下地の上にスズめっき

△ 3	△ 3	1-179188-3
△ 2	△ 2	1-179188-2
(FINISH)		製品番号 (PART NO.)

A	REVISED	FJ00-0039-03	TS	SM	8/20/93
0	RELEASED	FJ00-0450-93	NM	SM	8/20/93
LTR	REVISION RECORD		DR	CHK	DATE

Copyright © 1993
AMP(Japan) LTD.
ALL RIGHTS RESERVED.

tyco
Electronics

Tyco Electronics AMP K.K.
Kawasaki, Japan

WIRE RANGE	INSULATION DIA	NAME
mm(TAWG -)	mm	8 POS SINGLE ROW SMT TYPE HORIZONTAL HDR ASS'Y FOR DYNAMIC 3100
MATERIAL	FINISH	一般公差 (GENERAL TOLERANCE)
SEE NOTE 注記参照	SEE NOTE 注記参照	10% ±0.2 30% ±0.3 50% ±0.4 75% ±0.5
DR.	DE.	SIZE LOC NUMBER
18 AUG 93 N. Matsubara	18 AUG 93 N. Matsubara	A3 J C=179188
CHK.	APP.	SCALE REV. SHEET
S. MONTAGE	S. MONTAGE	2-1 A 1 OF 1

(CUSTOMER DRAWING) 顧客用図面